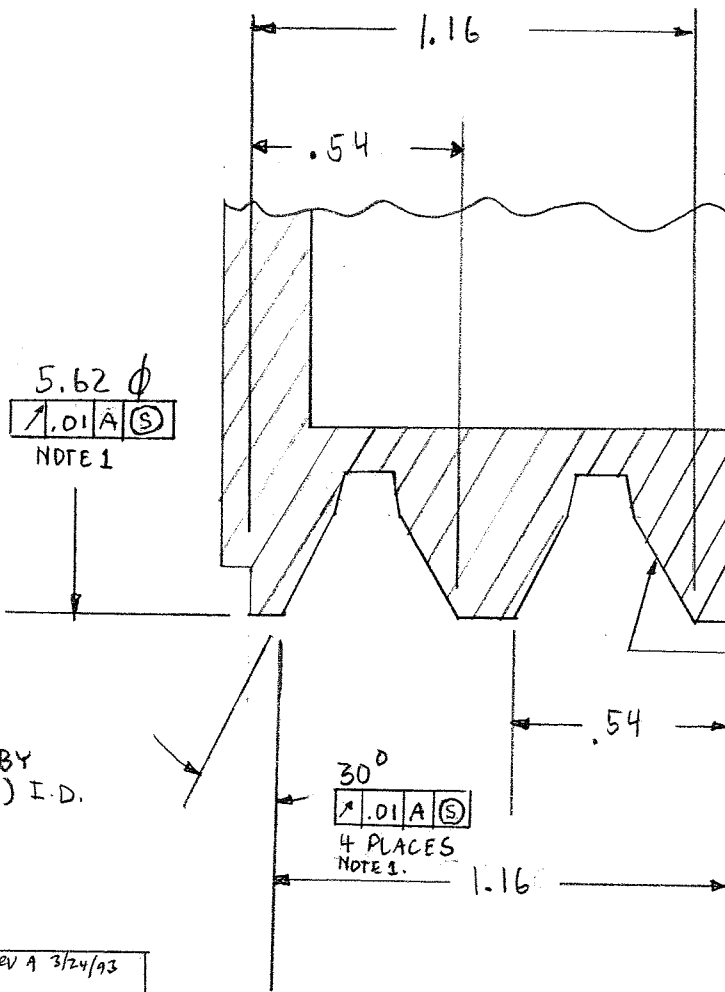


BEFORE
SANKYD/SANDEN
6" PULLEY

-A-



AFTER
(AS MODIFIED)

NOTE 1
FEATURE **-A-** DEFINED BY
EXISTING 2.44 (REF) I.D.
EARING BORE

30°
1.01 A (S)
4 PLACES
NOTE 1.

A/C PULLEY REV A 3/24/93

Dimensions in Inches
Tolerances .XXX ± .005
.XX ± .01
Angles ± 1/2 DEG

NOT TO SCALE

© 1993 John D. Titus
ALL RIGHTS RESERVED